

ELTH-B390 - Thermostat

ONE-STAGE ELECTRONIC ON/OFF THERMOSTAT FOR TEMPERATURE DUAL DIGITAL DISPLAY, 2 SETPOINTS, 1 CONTROL OUTPUT + 1 ALARM OUTPUT

The ELTHB-390 modular thermostat adapts to all cases where temperature control is necessary: atmosphere, air ducts, liquids, solids thanks to the various interchangeable probes available.

ELTH-B390 is a dual set point controller. It can be used for the management of neutral zones. They are equipped with an input for PT100 type thermostatic probes, current 4...20 mA.

The sensor value is displayed on a three-digit display. The controllers are available in standard 4 DIN format and 230 Vac power supply.



TECHNICAL CHARACTERISTICS

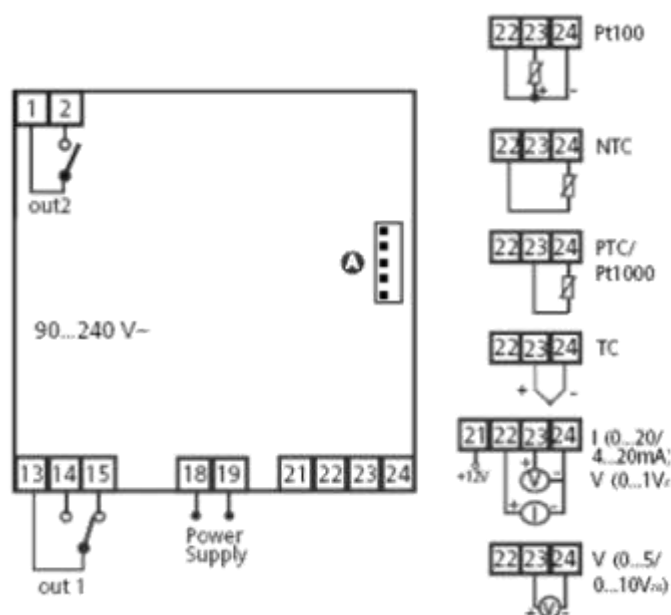
Plastic module housing	4 DIN
Front dimensions	70 mm × 85 mm
Depth	61 mm
Assembly	Rail DIN
Connection	Screw terminal block 2,5 mm ²
Operating temperature	-5 °C to 55 °C
Storage temperature	-20 °C to 40 °C
Display	4 digits
Precision	Better than 0.5 % of full scale + 1 digit
Resolution	1°C / 0,1°C
Voltage	90 V to 240 Vca ± 10 % ; 50/60 Hz

DESCRIPTION OF THE ELECTRICAL DIAGRAM:

- ✓ 1-2 Relays N.F
- ✓ 13-15 Relays N.F
- ✓ 13-14 Relays N.O
- ✓ 18-19 Power supply
- ✓ 21-22-23-24 sensor entry
- ✓ A Connection TTL for Copy Carte

PRODUCT QUALIFICATIONS

CE declaration



ELTH-B390-CTx - Waterproof electrical box

ELECTRICAL BOX WITH BUILT-IN THERMOSTAT, CONTACTOR AND CIRCUIT BREAKER

The range of CT Technical Boxes by ELTRACE type CT1 in 230 V or CT3 in 400 V are fully equipped to be totally and easily operational. CT electrical panels are essential elements for the proper functioning of our heating systems.

CHARACTERISTICS OF THE BOX WITH THERMOSTAT

Self-extinguishing: resistance to incandescent wire 750°C in accordance with ERP regulations
 Watertight boxes - IP 65 - IK 09 - Class II - UV resistance.
 Impact reinforced polystyrene material

STANDARDS

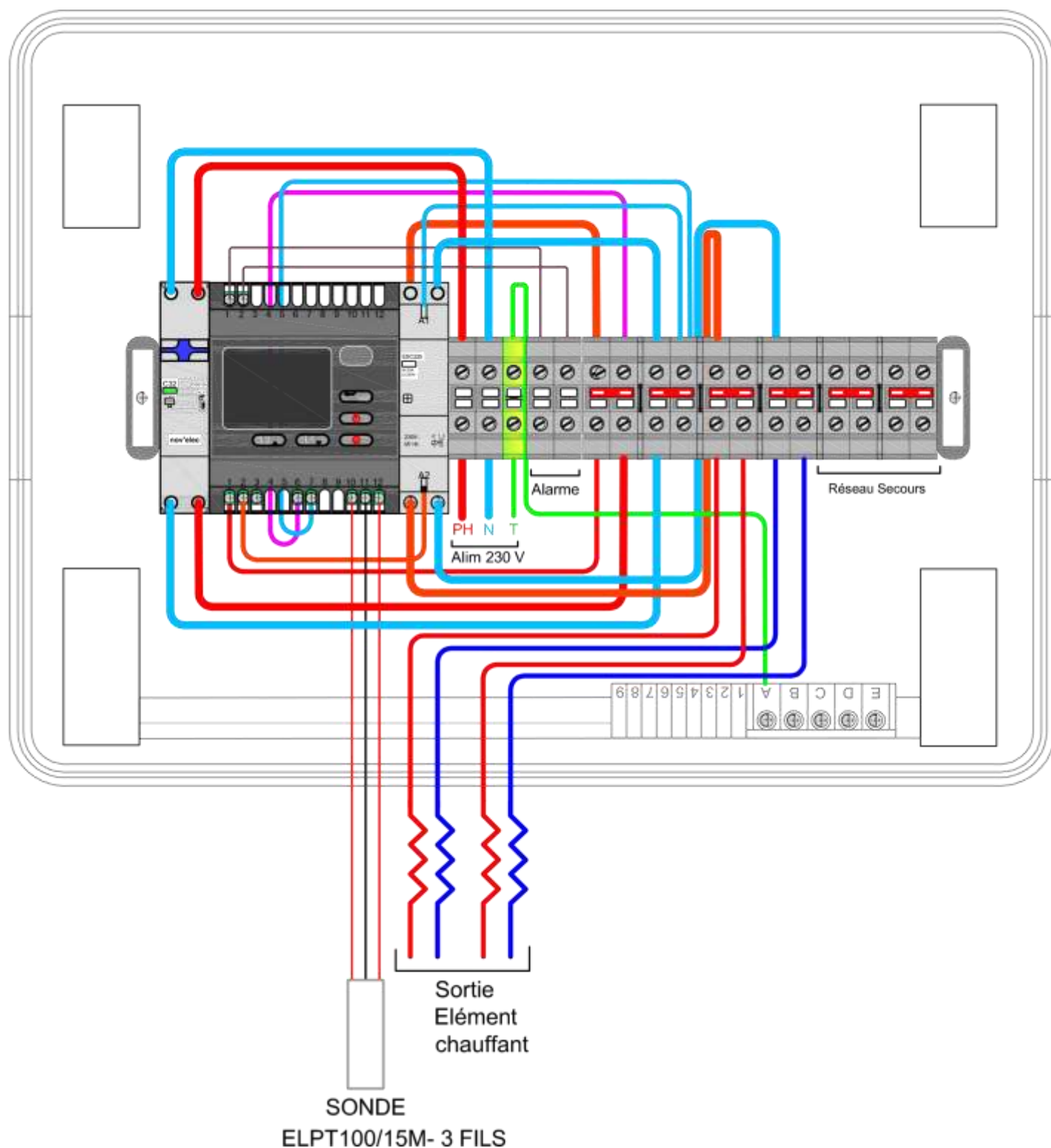
EN NF C15-100, EN 60730-2,-9, IEC 62 208, EN 60695-2-11, ISO 4892-2, IEC 62 208 & EC 61 439-3



DESIGNATION	FAMILY
Electronic thermostat with display + 1 output + 1 alarm	ELTH-B-390
Circuit breaker C32A 1 P+N	CIRCUIT BREAKER
Modular contactor 2 × 25 A	CONTACTOR
Panel 335 × 285 × 160 mm	PANEL
Terminal 4 mm ²	TERMINAL
Earth terminal G/Y	TERMINAL
Coupling bar	TERMINAL
Fixing paste	STOP
Wiring 1.5 mm ² - Blue	WIRING
Wiring 2.5 mm ² - Blue	WIRING
Wiring 1.5 mm ² - Red	WIRING
Wiring 2.5 mm ² - Red	WIRING
Wiring 1.5 mm ² - Yellow/green	WIRING

ELTH-B390-CT1 - Waterproof electrical panel 230 V

230 V ELECTRICAL PANEL PRE-EQUIPPED WITH AN INTEGRATED THERMOSTAT, CONTACTOR AND CIRCUIT BREAKER



ELTH-B390-CT3 - Waterproof electrical panel 400 V

400 V ELECTRICAL PANEL PRE-EQUIPPED WITH AN INTEGRATED THERMOSTAT, CONTACTOR AND CIRCUIT BREAKER

