

THERMOSTATS AND ELECTRONIC CONTROLLER

+0°C / +100°C
+0°C / +200°C

ELTE - Electronic Controller

ELECTRONIC SURFACE THERMOSTATS

Casing: polycarbonate with transparent cover.

Size: 125 × 125 × 75mm.

Weight: 520 g.

Protection type: IP 66.

Wiring: 1 × M12

1 × M20

1 × M25

Power supply: 230 V+/-10%, 50 / 60 Hz.

Breaking capacity: 15A / 230V.

Lighted indicators:

"green" ON heating,
"red" Sensor fault.

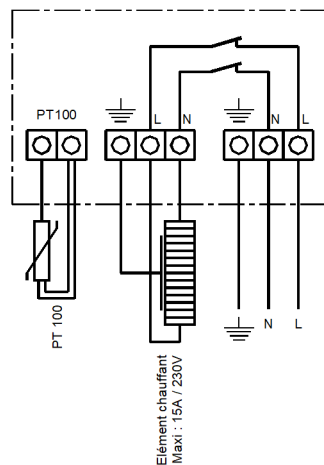
Ambient temperature: -30 to +80°C.

Measurement input: PT 100 DIN, 2 or 3 conductors.

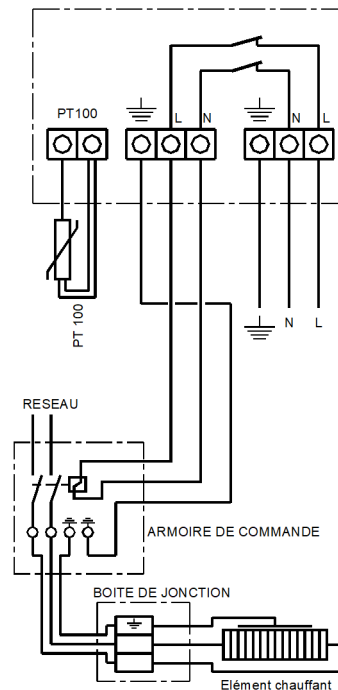
Electrical connection by stuffing box and terminal block.



Reference	Regulation range
ELTE-1	+0°C / +100°C
ELTE-2	+0°C / +200°C



POWER SUPPLY
IN DIRECT CUT



RELAYED POWER SUPPLY
IN ELECTRICAL CABINET



NOTA : FOR THE SENSOR, THE TWO WIRES OF THE SAME COLOR ARE TO BE CONNECTED IN THE SAME TERMINAL