

THERMOSTATS AND ELECTRONIC CONTROLLER

ELTH-A2, -A3, -A4 - Ambiance and Surface Thermostats

MAIN FEATURES

Thermostats for regulating the ambient temperature in industrial environments (refrigeration, maturation, etc.). Interior adjustment; remove the lid to adjust the temperature. Liquid dilatation operation. Sensitive tinned copper spiral element with stainless steel cover. Sock and lid in shockproof thermoplastic material. Ingress Protection IP65. G ½ cable gland for cable exit. Fixing on wall with screw Ø M4 maxiMicrocontact in quick-release switching with AgCdO contacts, free of voltage

SURFACE THERMOSTAT ELTH-A2

- ⇒ Temperature ranges: $-20^{\circ}\text{C} / +40^{\circ}\text{C}$
- ⇒ Breaking Capacity: 15A / 230V - 10A / 380V
- ⇒ Electric differential: $2 \pm 0,5(\text{K})$
- ⇒ Ingress Protection: IP 65
- ⇒ Case: Shockproof thermoplastic
- ⇒ Sensor and Capillary: Stainless steel.
- ⇒ Max. bulb Temp.: 60°C
- ⇒ Capillary length: 1 m
- ⇒ Bulb Length: 95 mm



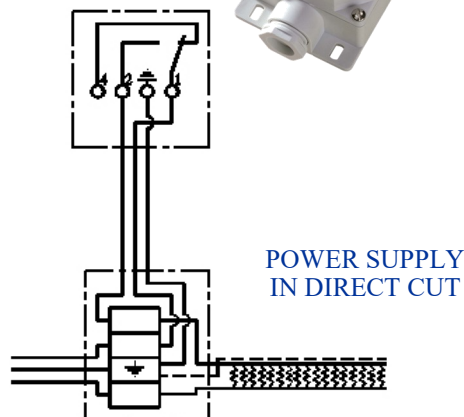
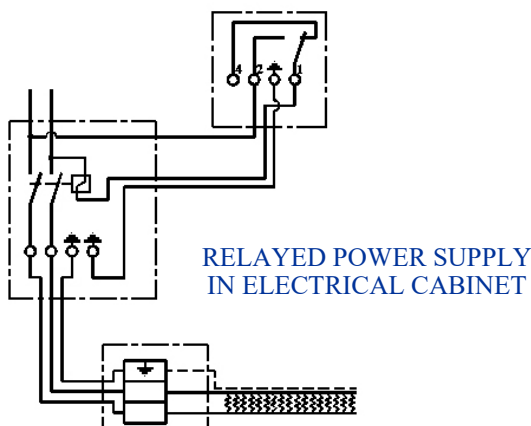
SURFACE THERMOSTAT ELTH-A3

- ⇒ Temperature ranges: $+10^{\circ}\text{C} / +90^{\circ}\text{C}$
- ⇒ Breaking Capacity: 15A / 230V - 10A / 380V
- ⇒ Electric differential: $6 \pm 1(\text{K})$
- ⇒ Ingress Protection: IP 65
- ⇒ Case: Shockproof thermoplastic
- ⇒ Sensor and Capillary: Copper
- ⇒ Temp. Max. bulbe: 120°C
- ⇒ Capillary length: 1.50 m
- ⇒ Bulb Length: 142 mm



AMBIENT THERMOSTAT ELTH-A4

- ⇒ Temperature ranges: $-20^{\circ}\text{C} / +40^{\circ}\text{C}$
- ⇒ Breaking Capacity: 15A / 230V - 10A / 380V
- ⇒ Electric differential: $\pm 2 \text{ K}$
- ⇒ Ingress Protection: IP 65
- ⇒ Case: Shockproof thermoplastic
- ⇒ Sensor: Copper



PRODUCT QUALIFICATION
CE, IP65



In accordance with CEI-EN 60947-5-1