

THERMOSTATS AND CONTROL

ELTH-B390 - Modular Thermostat

ELECTRONIC THERMOSTAT AN "ALL OR NOTHING" STAGE FOR TEMPERATURE, WITH DUAL DIGITAL DISPLAY, 2 SETPOINTS, 1 OUTPUT REGULATION + 1 OUTPUT ALARM

The modular thermostat ELTHB-390 adapts to all cases where a temperature control is necessary: atmosphere, air ducts, liquids, solids thanks to the different interchangeable probes available.

ELTH-B390 is a two-point regulator. It can be used for the management of neutral zones. They are equipped with an input for thermostatic probes type PT100, current 4 ... 20mA.

The value of the probe is displayed on a three-digit display. Regulators are available in standard 4DIN format and 230Vac power supply.

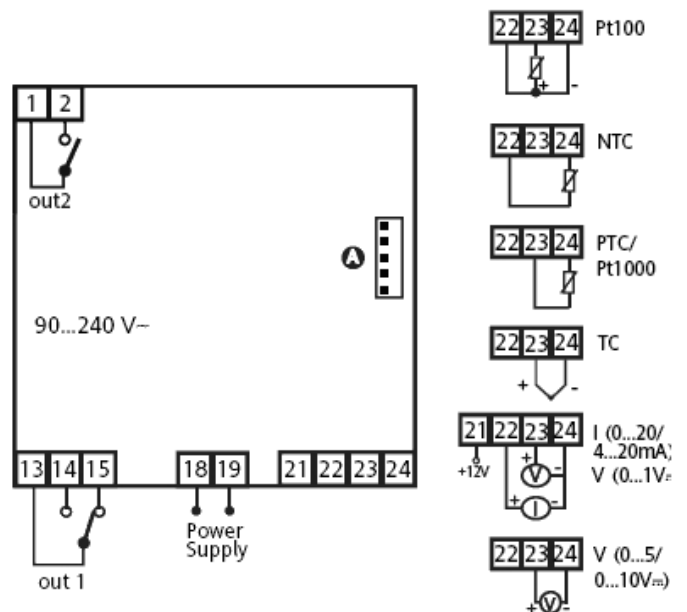


DESCRIPTION

- Plastic module housing: 4 DIN
- Front dimensions: 70 x 85
- Depth : 61mm
- Montage : Rail DIN
- Connection : 2.5mm² Screw Terminal Block
- Working temperature: -5...55°C
- Storage temperature: -20...85°C
- Display: 4 digits
- Precise: <0.5%
- Display: 1°C or 0,1°C
- Voltage : 90...240Vca ± 10%, 50/60Hz

ELECTRICAL DIAGRAM

- 1-2 N.F Relay
- 13-15 N.F Relay
- 13-14 N.O Relay
- 18-19 Power Supply
- 21-22-23-24 Sensor
- TTL Connexion



ELTH-B390-CT1 - Thermostat in waterproof box

TECHNICAL DATASHEET BOX AND THERMOSTAT

Self-extinguishing: flame resistance 750°C complies with ERP regulation. Watertight enclosure IP65—IK09—Class II—UV. Polystyrene reinforced shock

NORMES

- EN NF C15-100
- EN 60730-2,9
- IEC 62 208
- EN 60695-2-11
- ISO 4892-2
- IEC 62 208 & EC 61 439-3

QUALIFICATIONS PRODUITS

Certifications CE

